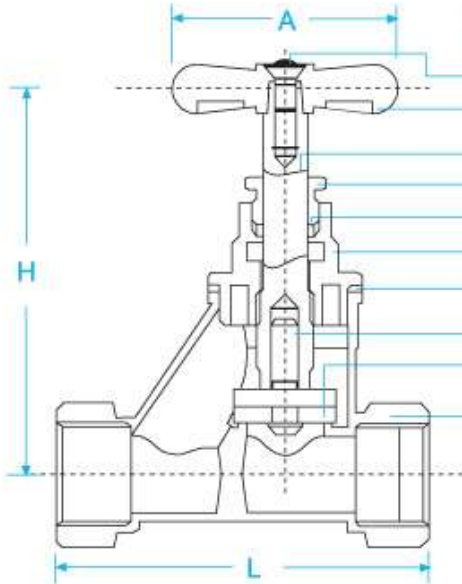




OHO® DZR BRASS STOP VALVE

Class 125, Screwed Head, Rising Stem, Swivel Disc, Integral Seat, Threaded Ends to BS21, Compression Ends to BS EN 1254, Manufactured to BS1010/2.

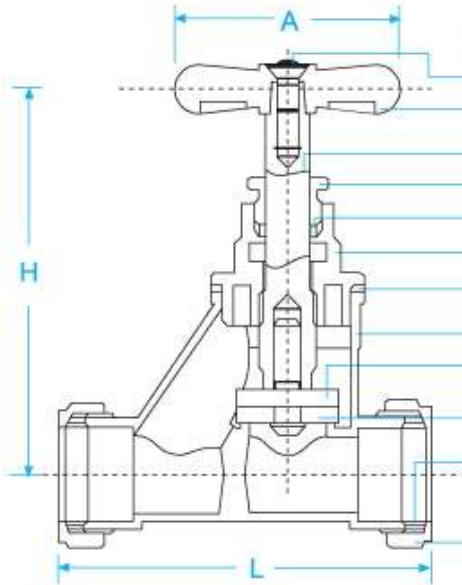
2008/08 Edition Printed Catalog



NO. PART	MATERIAL
1 Screw	Brass
2 Handle	Brass
3 Spindle	Brass
4 Gland Nut	Brass
5 Gland Packing	Teflon
6 Head	DZR Brass
7 Gasket	Non-Asbestos
8 Washer Plate	Brass
9 Washer	EPDM
10 Body	DZR Brass



Model 802CR
Pneumatic pressure test:
6 kg/cm² (Air Under Water)
200 psi W.O.G. Non-shock



NO. PART	MATERIAL
1 Screw	Brass
2 Handle	Brass
3 Spindle	Brass
4 Gland Nut	Brass
5 Gland Packing	Teflon
6 Head	DZR Brass
7 Gasket	Non-Asbestos
8 Body	DZR Brass
9 Washer Plate	Brass
10 Washer	EPDM
11 Compression Ring	Copper
12 Compression Nut	Brass



Model 803CR
Pneumatic pressure test:
6 kg/cm² (Air Under Water)
200 psi W.O.G. Non-shock

Dimensions (mm)

Model	Size (Inch)	802CR			803CR		
		1/2"	3/4"	1"	1/2"	3/4"	1"
L	End to End	57	57	61	57	57	61
H	Height	75	102	123	75	102	123
D	Hand Wheel Diameter	64.50	91	112	71.50	103	119.50

Due to continuous product development, data is not binding and may change without prior notice